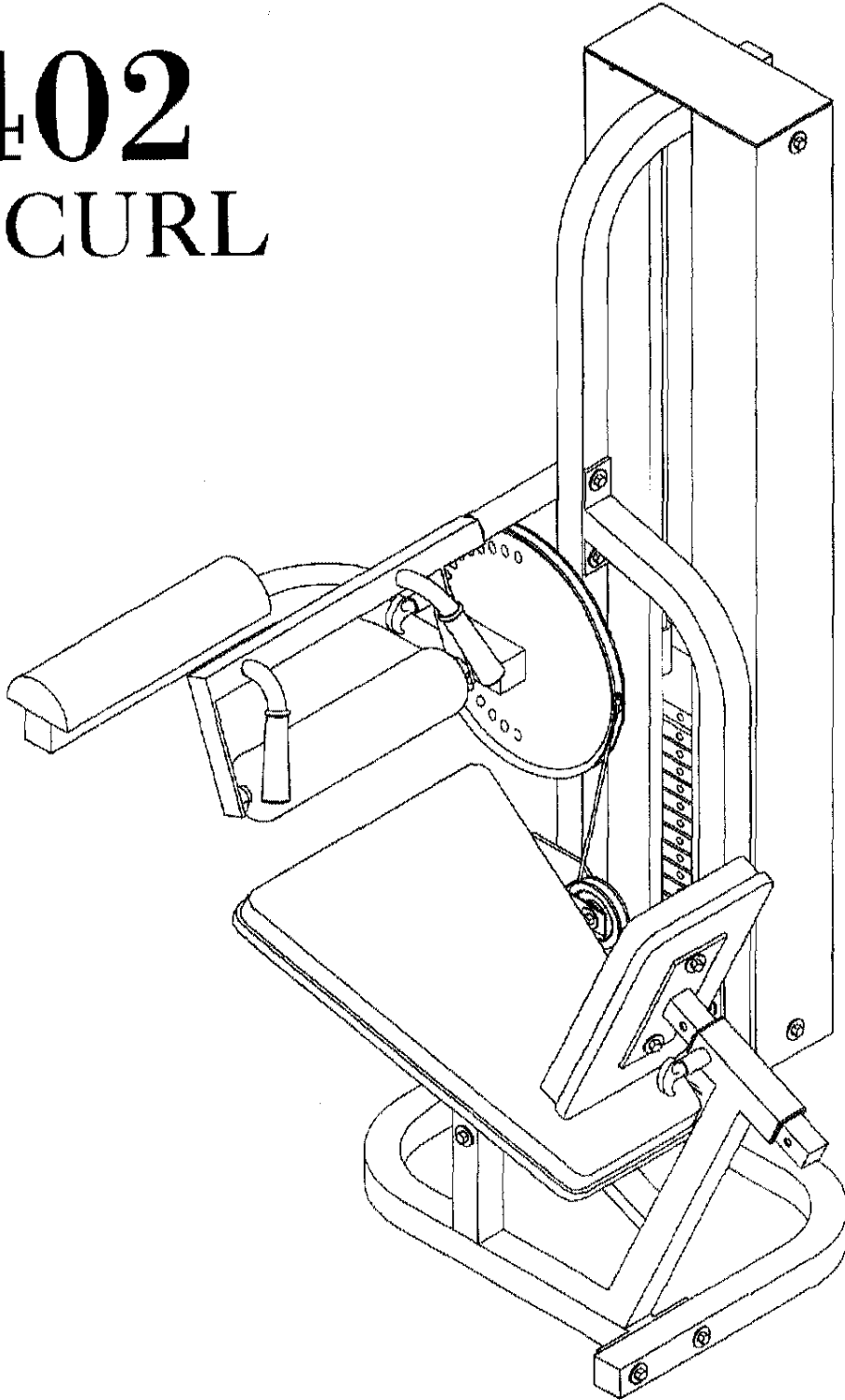


HOIST[®]
FITNESS SYSTEMS

S402 LEG CURL



CUSTOMER CATALOG

AUGUST '94

1 CATALOG**S402****PARTS LIST**

Key No.	Qty.	Part Number	Description
1	1	61-S401,2,902	WEIGHT UPRIGHT
2	1	61-S401,2,901	BENCH ASSEMBLY
3	1	61-S401,2,908	BASE FRAME
4	6	16-CAP-22	2" x 2" END CAP
5	1	61-S401,2,907	UPRIGHT SUPPORT
6	1	61-S401,2,903	CROSSMEMBER ASSEMBLY
7	1	14-SSC-1	SHAFT COLLAR
8	1	61-STD-SU1925	10" TO 19 1/2" x 25" TAPERED SEAT PAD
9	1	61-STD-SU1017	10" x 17" BACK PAD
10	1	61-S401,2,906	BACK PAD MOUNT
11	2	61-STD-PLAS112	EZ GLIDE ADJUSTER SLEEVES
12	1	61-STD-SM128	1/2 PULL-PIN (SHORT)
13	1	61-S40201	ARM ASSEMBLY
14	1	61-STD-SU416	2" RADIUS HALF ROUND x 16" LEG PAD
15	1	14-BRG-NYL1	NYLINER BUSHING
16	1	61-S40103	CAM ASSEMBLY
17	2	14-BRG-RAD1PILP	PILLOW BEARINGS
18	1	61-S401,2,905	WEIGHT TOP
19	2	14-BSH-GRD-34	GUIDE ROD SNAP BUSHING
20	2	61-STD-SG107	3/4" DIA. x 59 3/4" GUIDE ROD
21	1	61-STD-SWTOP-1	8 1/2 LB. TOP WEIGHT PLATE W/STEM
22	20	61-STD-SW101	12 1/2 LB. WEIGHT PLATE
23	2	19-WSB-12	1/2" RUBBER DONUT
24	2	61-401,2,904	WEIGHT BASE
25	2	61-STD-SSH120	59 3/4" SHEILDS
26	1	61-S40204	THIGH STABLIZER ASSEMBLY
27	2	14-SCC-1	SPLIT SHAFT COLLAR
28	1	61-S402,9	ROLLER MOUNT
29	1	61-S402,9	16" x 2" RADIUS. THIGH STABILIZER PAD

1 CATALOG

S402

PARTS LIST

Key No.	Qty.	Part Number	Description
30	1	11-PUL-312	3 1/2" PULLEY
31	3	11-PUL-412	4 1/2" PULLEY
32	1	16-CAP-1122	1 1/2" x 2" END CAP
33	1	61-STD-SP125	4 1/2" PULLEY COVER
34	1	61-S401,2,9 COMMON	CAM LIMITER
35	1	61-STD-SM129	1/2 PULL-PIN (LONG)
36	1	61-S402-03	THIGH STABILIZER MOUNT
37	2	19-GRP-78514T	TAPERED GRIP
38	2	14-TUR-1	1" TURCITE
39	1	16-CAP-112112	1 1/2" x 1 1/2" END CAP
40	1	16-CAP-GR1	1" DIA. ROD CAP
41	2	19-PLG-1	PLUG BUMPER
42	1	16-CAP-12	1" x 2" END CAP

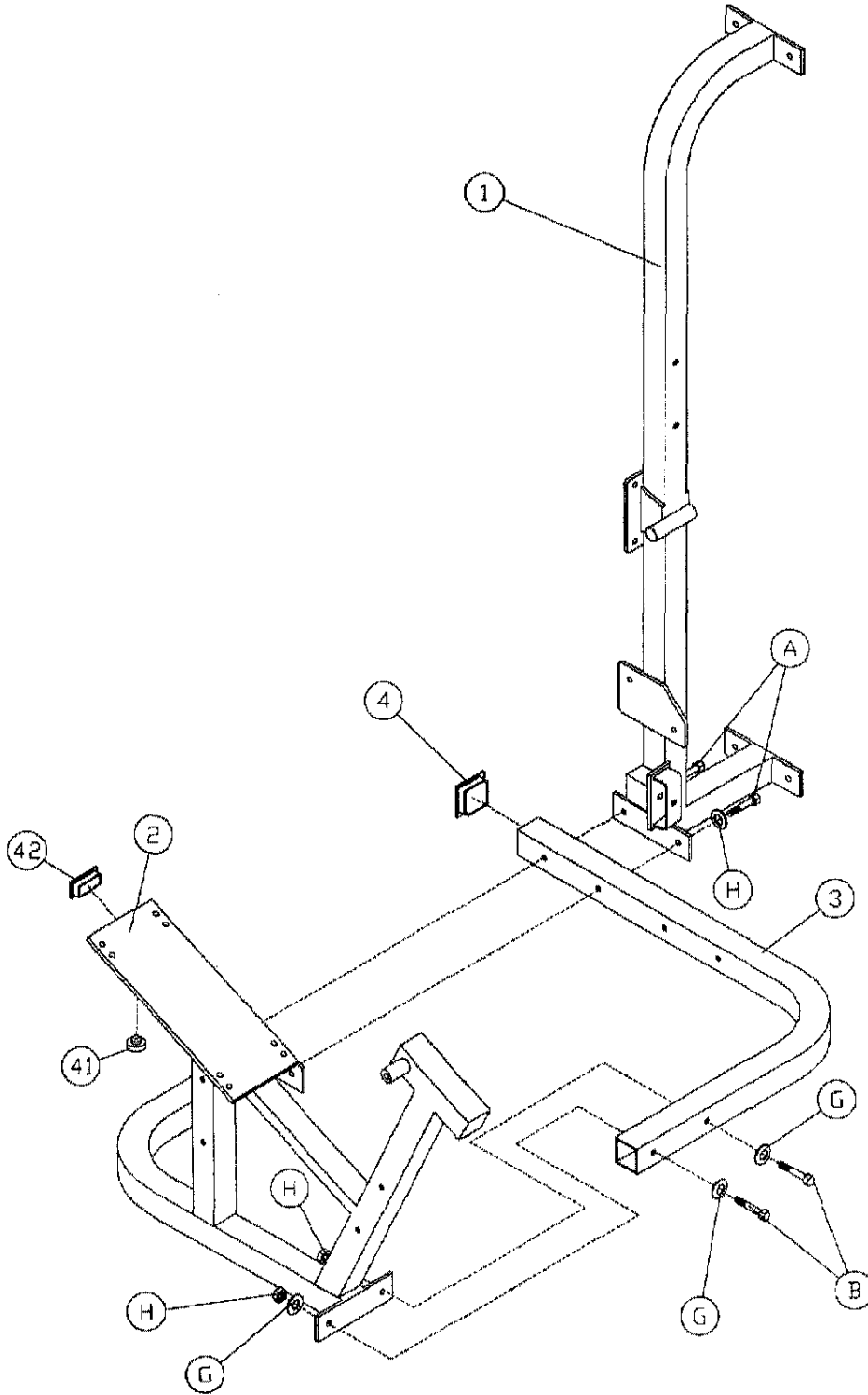
1 CATALOG

HARDWARE

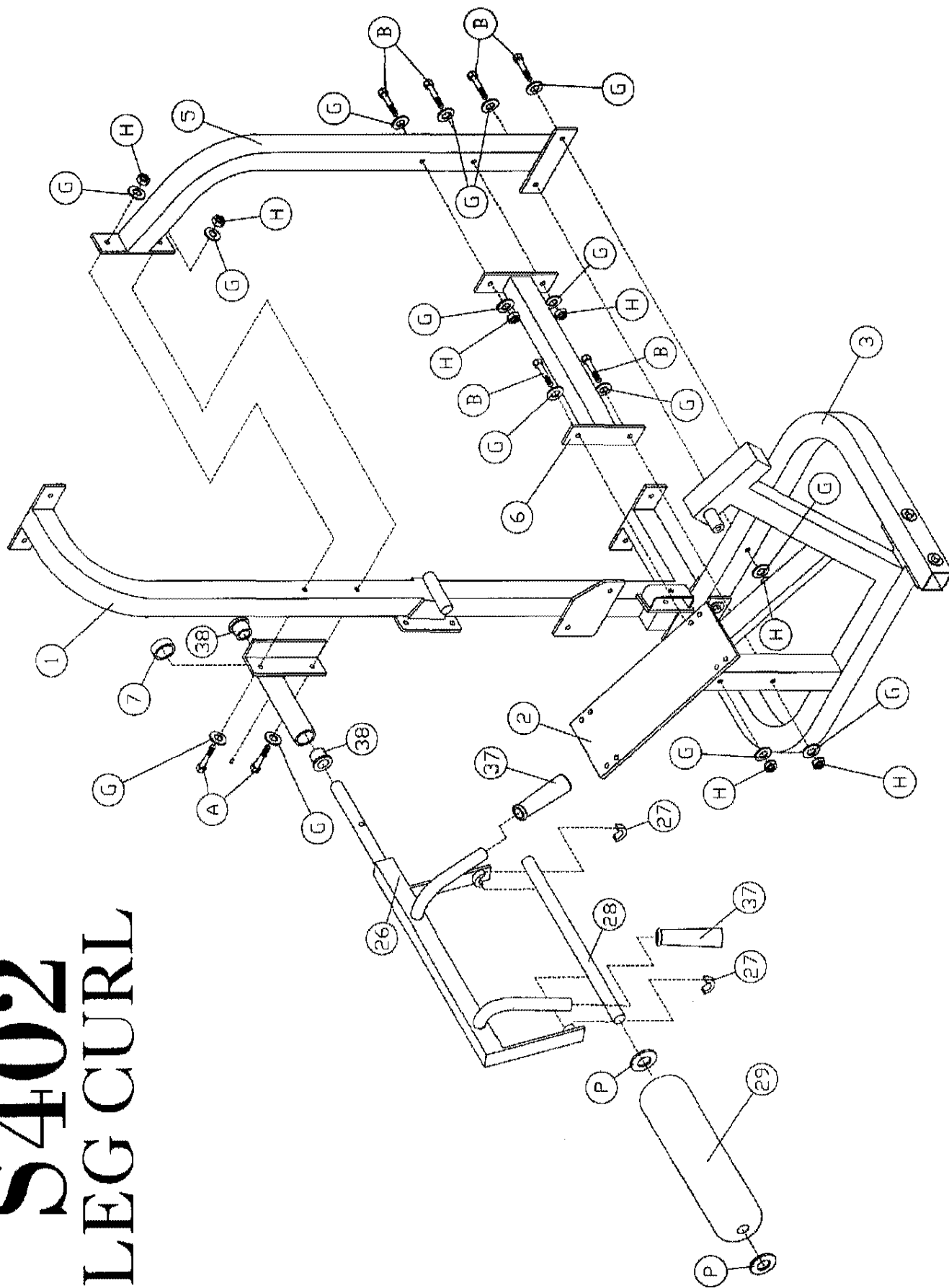
S402

Key No.	Qty.	Part Number	Description
A	4	11-HEX-383	3/8 x 3 HEX BOLT
B	12	11-HEX-38234	3/8 x 2 3/4 HEX BOLT
C	4	11-HEX-382	3/8 x 2 HEX BOLT
E	4	11-HEX-38112	3/8 x 1 1/2 HEX BOLT
F	4	11-HEX-381	3/8 x 1 HEX BOLT
G	52	13-FLT-38	3/8" USS FLAT WASHER
H	24	12-LOK-38	3/8" CENTER LOCK HEX NUT
I	1	11-HEX-121	1/2 x 1 HEX BOLT
J	1	13-LOK-12	1/2 LOCK WASHER
K	1	13-FLT-12	1/2 USS FLAT WASHER
L	2	11-HEX-5163	5/16 x 3 HEX BOLT
M	6	11-HEX-516114	5/16 x 1 1/4 HEX BOLT
N	8	13-FLT-516	5/16 USS FLAT WASHER
O	1	11-SKT-381	3/8" x 1" SOCKET HEAD CAP SCREW
P	2	13-FLT-1N	1" NYLON WASHER

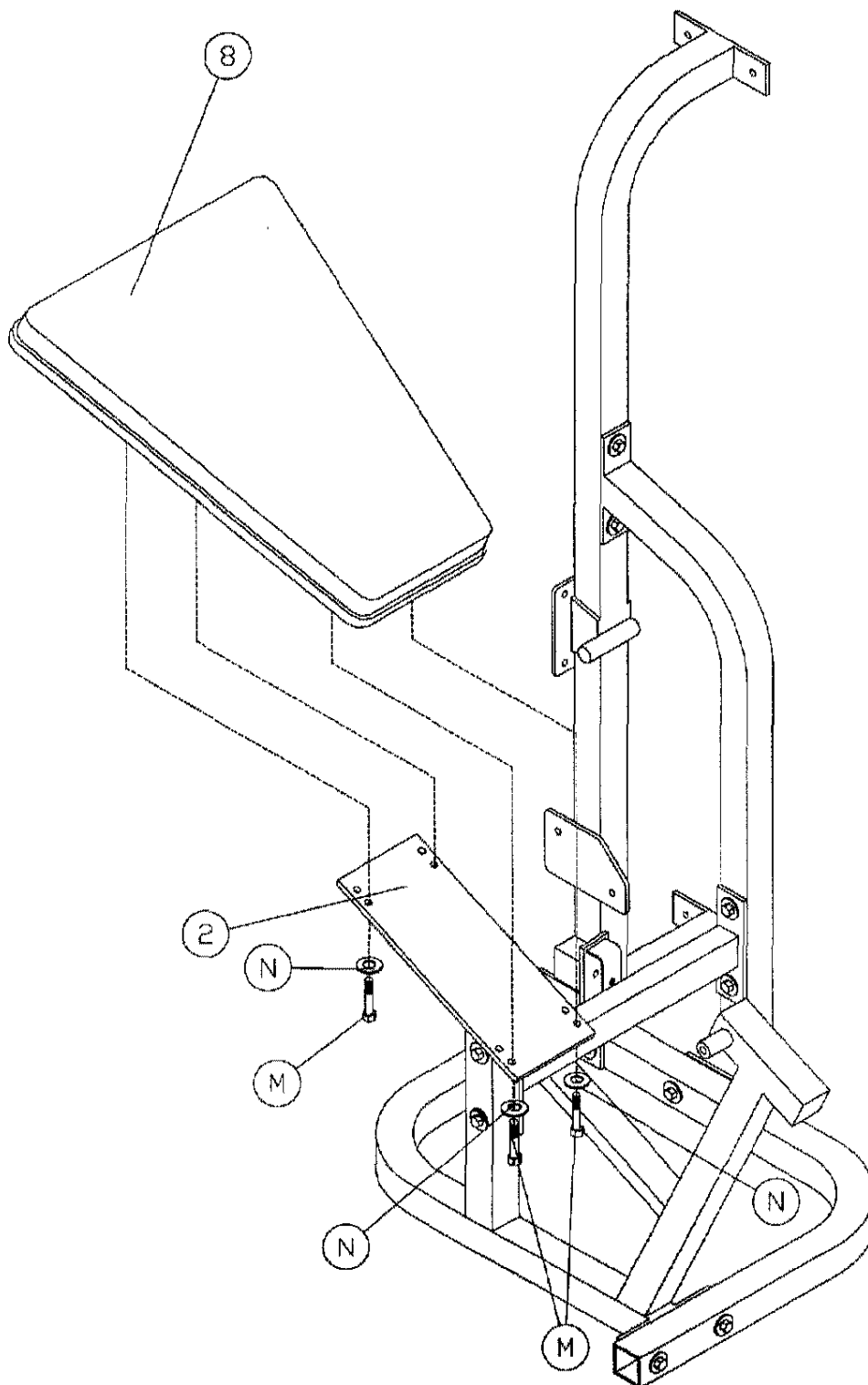
S402 LEG CURL



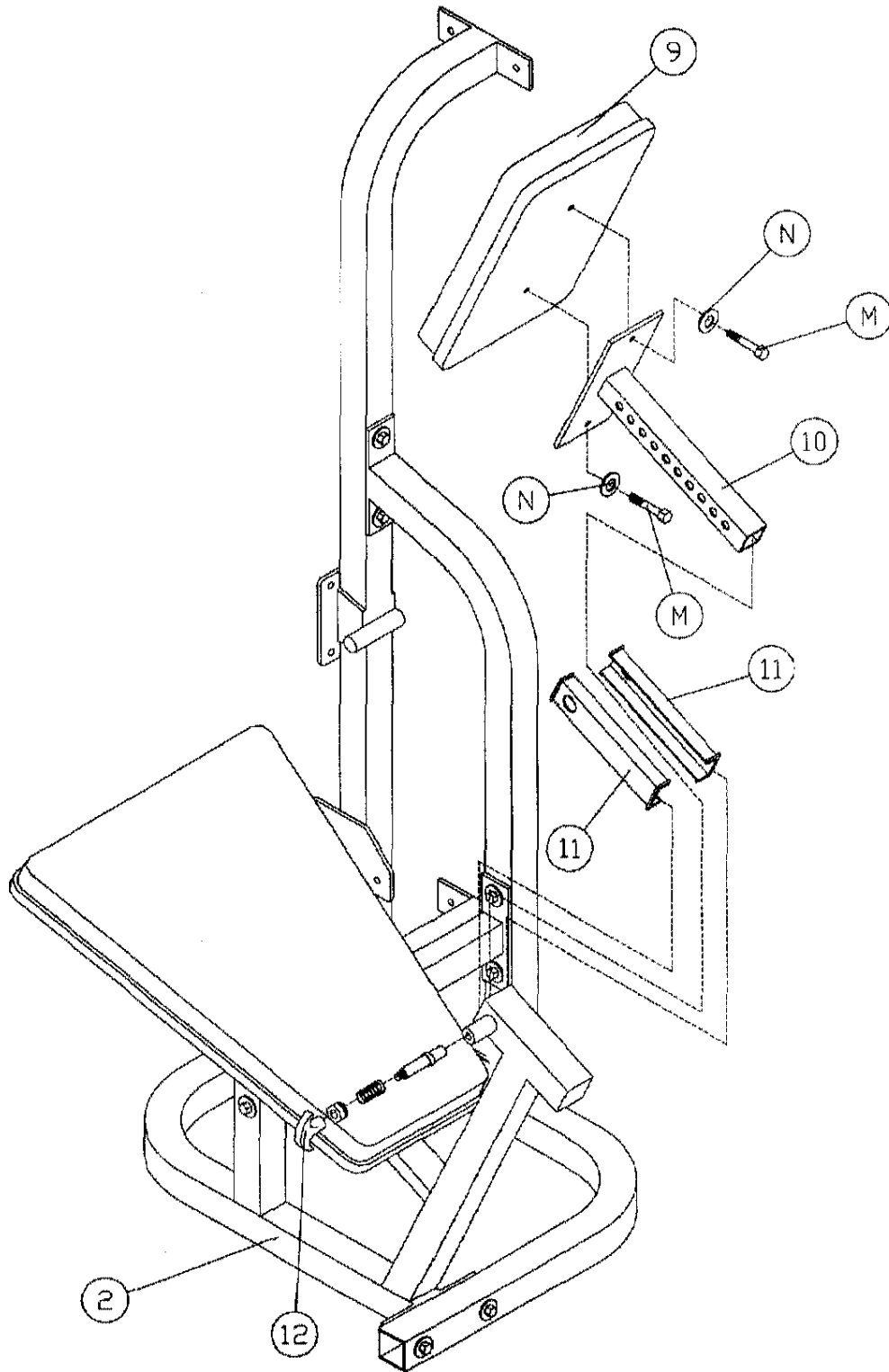
S402 LEG CURL



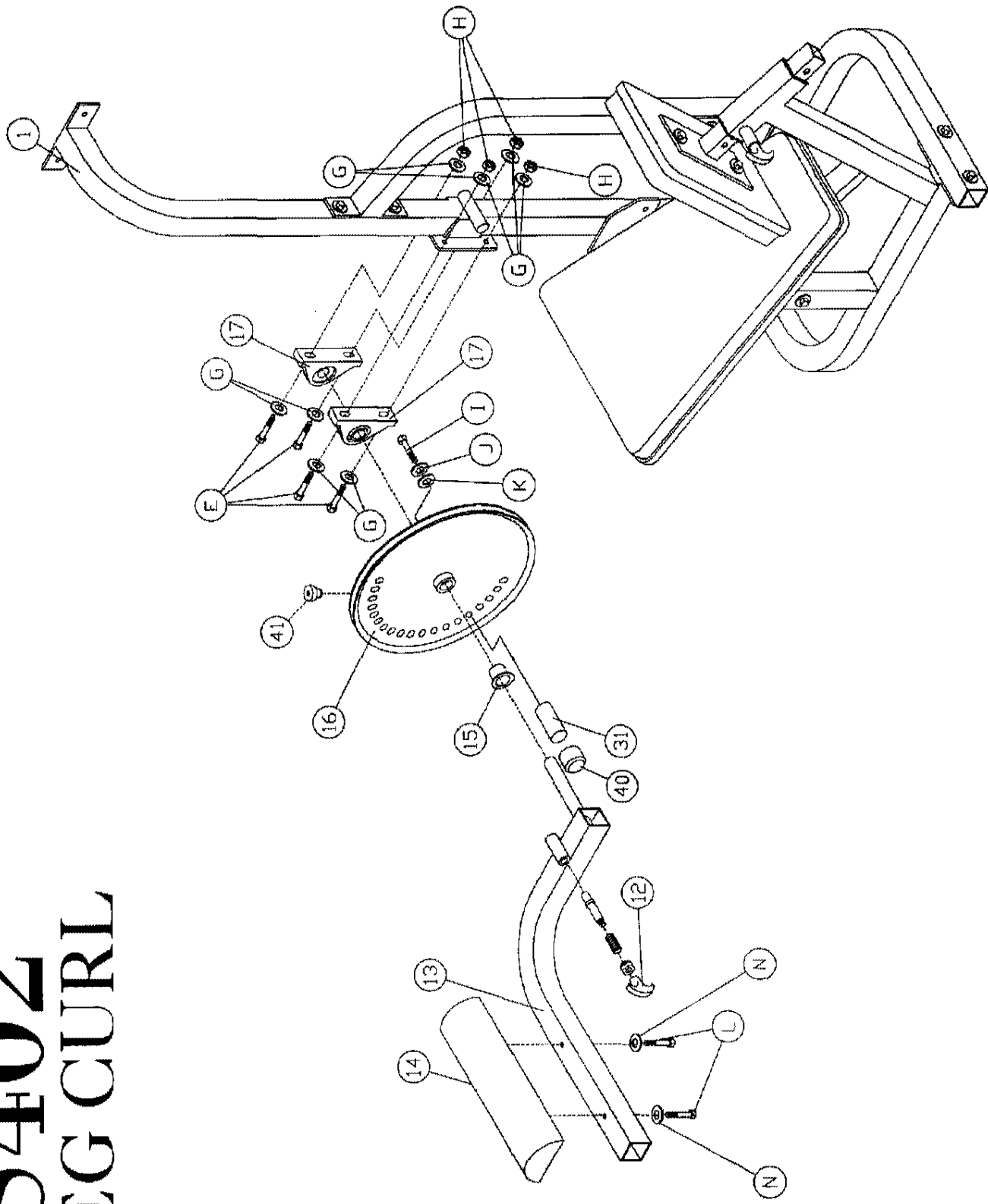
S402 LEG CURL



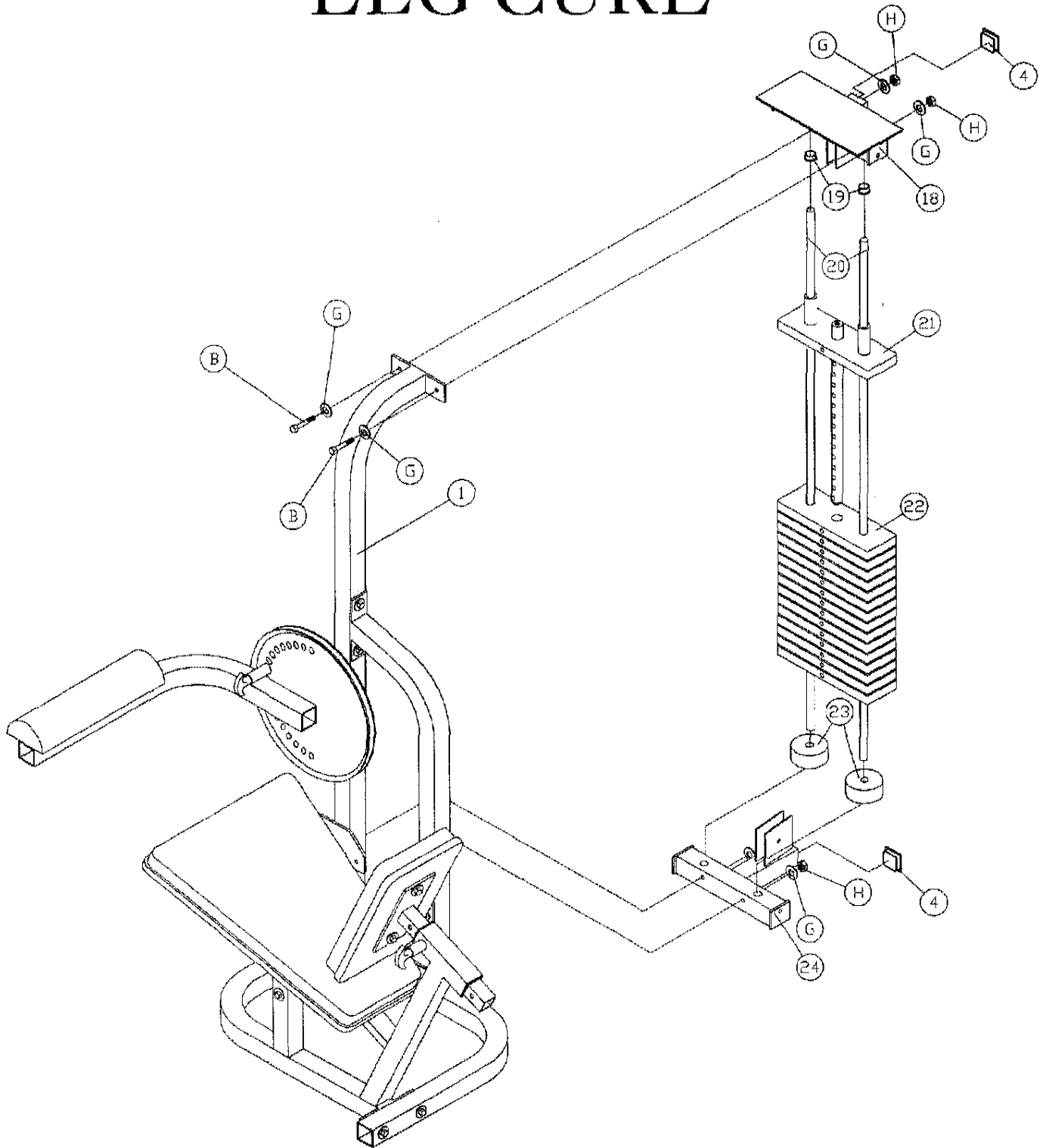
S402 LEG CURL



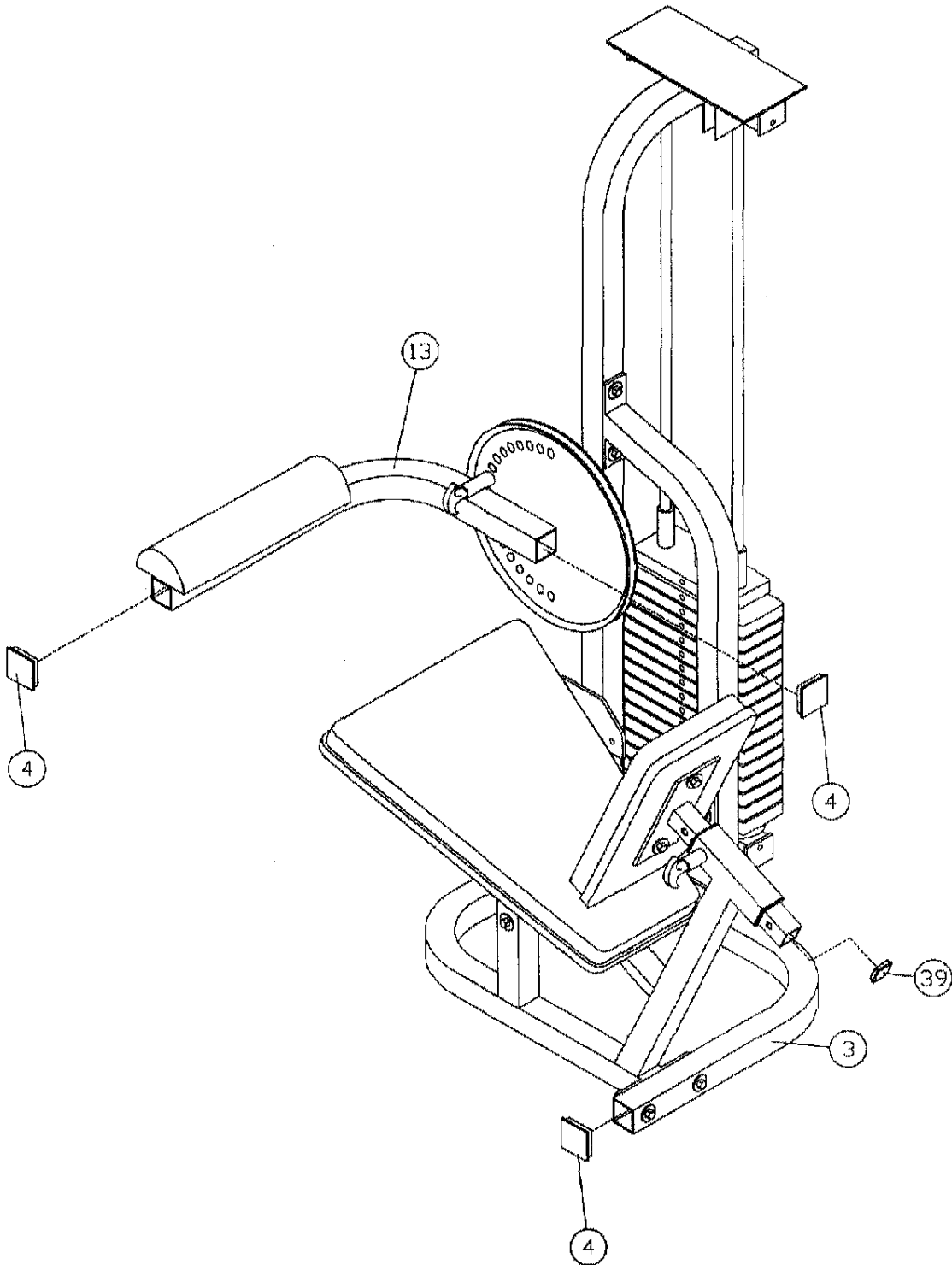
S402 LEG CURL



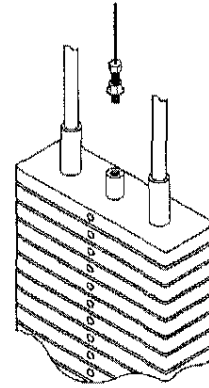
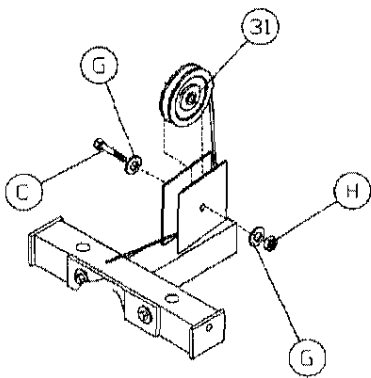
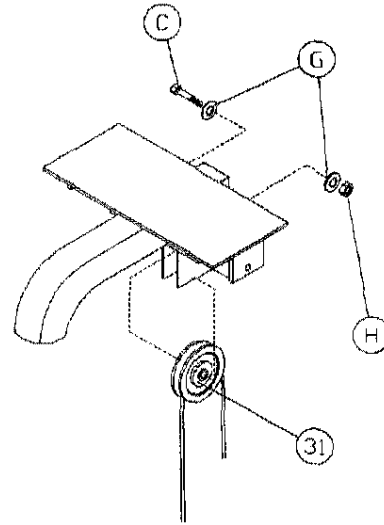
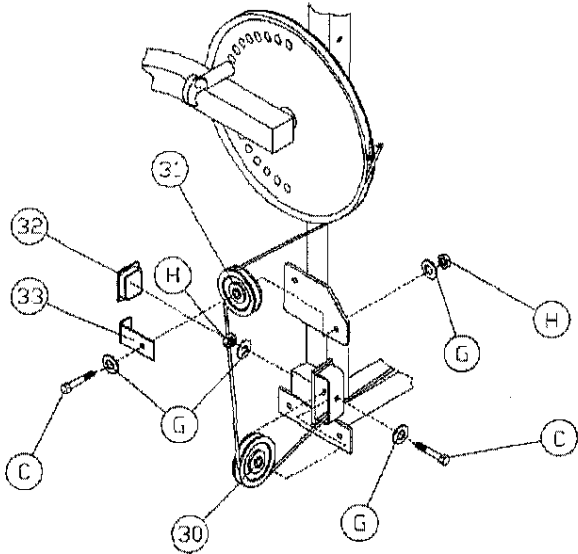
S402 LEG CURL



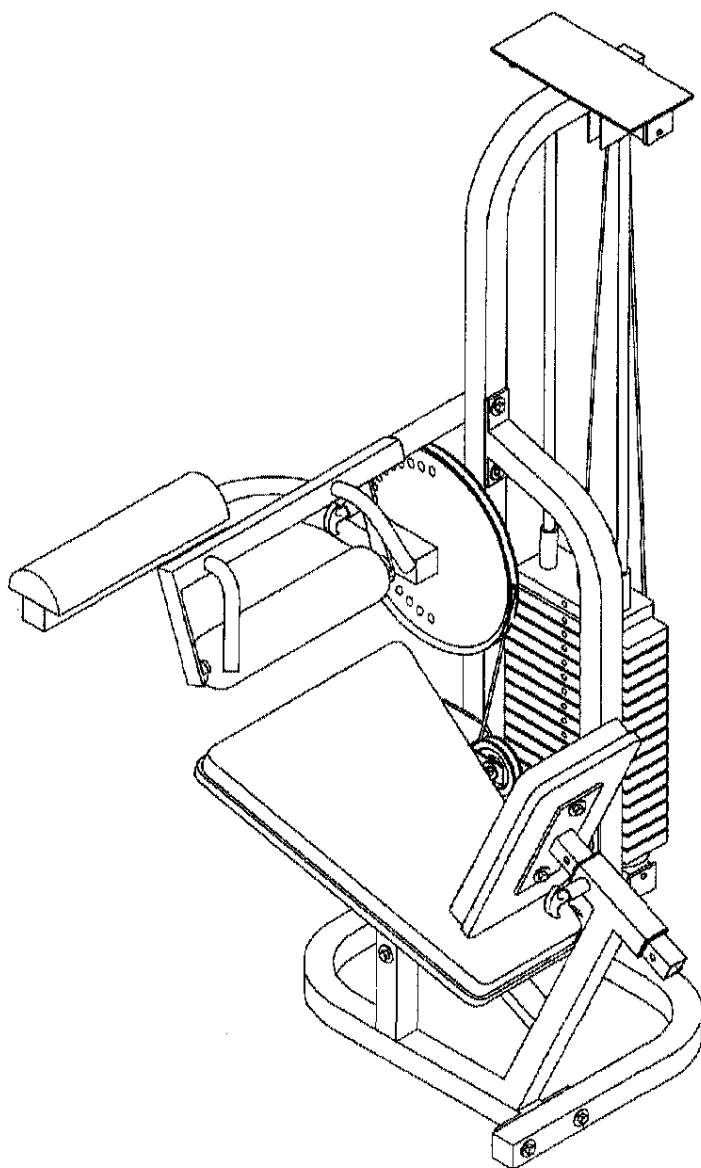
S402 LEG CURL



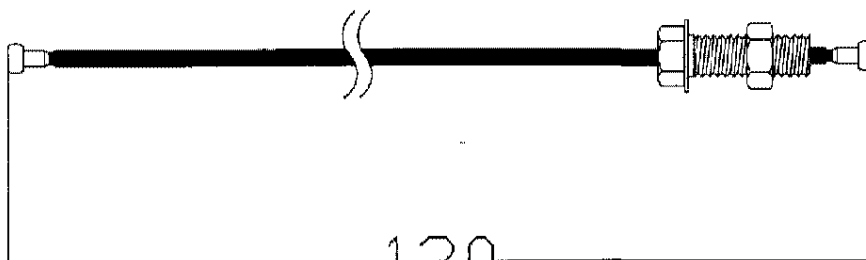
S402 LEG CURL



S402 LEG CURL



QUICK RELEASE
CABLE ANCHOR



S402 LEG CURL

